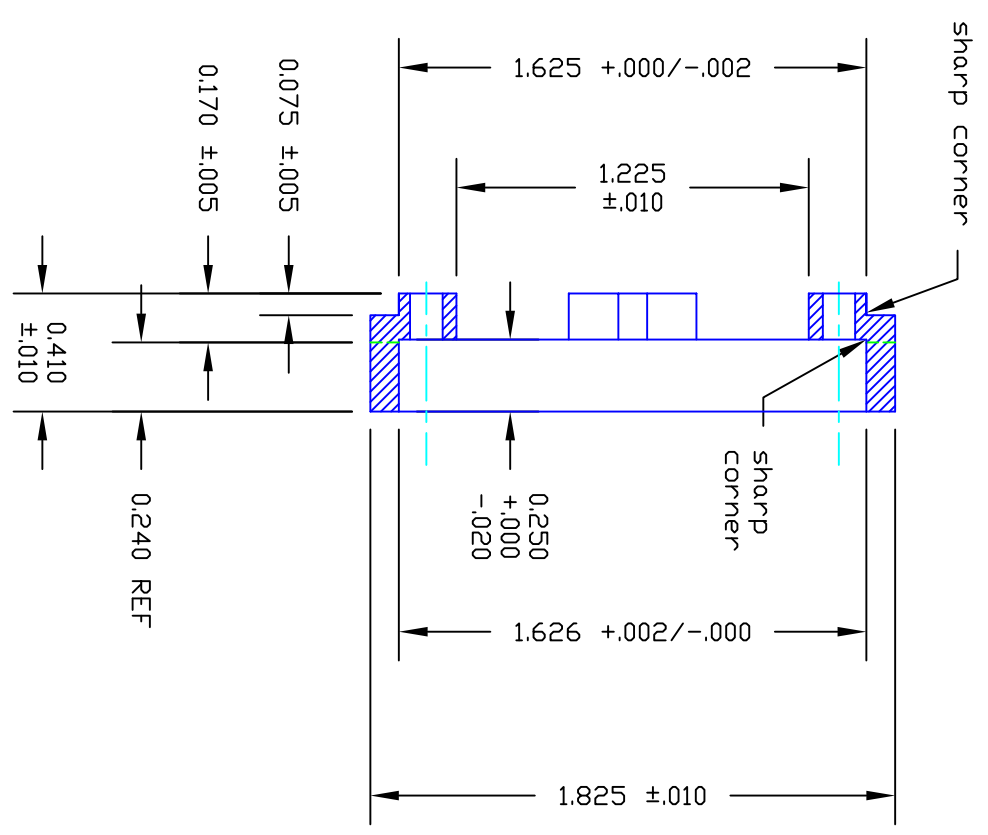
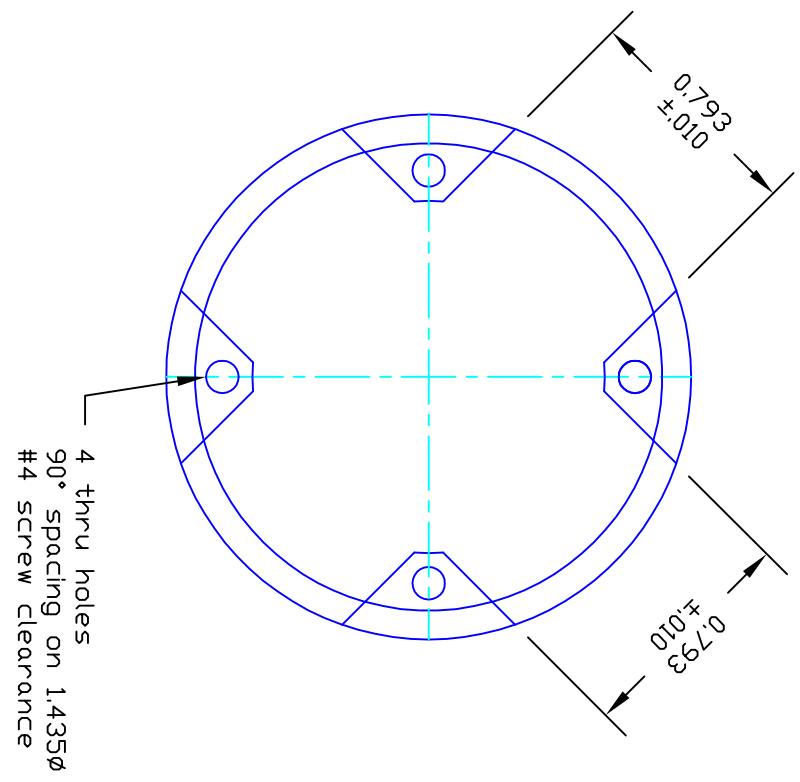


G10 PHENDLIC ROD STOCK



MICHIGAN SCIENTIFIC CORPORATION
11-21-03 KDL
THERMAL BREAK FOR SHORT-S SERIES SLIP RINGS